

Water terminal unit

Indoor installation, wall-mounted, cased
Capacity from 1,87 to 3,81 kW

ELFOSpace

HYDRONIC



ELFOSpace WALL2 is a range of cased water terminals that are cleverly designed to be placed in the space above doors or at mid-height on walls, and are particularly suitable, thanks to the accurate design, to residential and hotel installations.

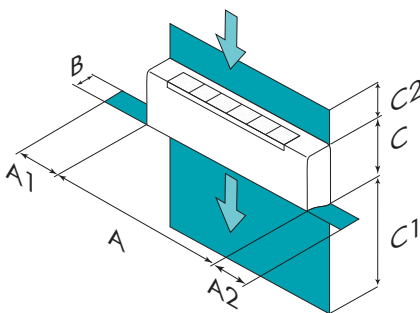
These units also feature:

- ▶ exceptionally low noise operation;
- ▶ air flow direction control;
- ▶ all the components needed for installation and start-up (template, wall thermostat or infrared remote control, three- or two-way valve).

functions and features



dimensions and clearances



Size – ELFOSPACEWALL 2		005.0	007.0	015.0	017.0
A - Length	mm	880	880	1185	1185
B - Width	mm	212	212	212	212
C - Height	mm	322	322	322	322
A1	mm	100	100	100	100
A2	mm	100	100	100	100
C1	mm	200	200	200	200
C2	mm	100	100	100	100
Operating weight	kg	11	11	14	14

The above mentioned data are referred to standard units for the constructive configurations indicated. For all the other configurations, refer to the relative Technical Bulletin.

Hydraulic connections on left side

Minimum distance of the unit from the ground: 2 m.

Maximum distance of the unit from the ground: 3 m.

CAUTION! For trouble-free operation of the unit it is essential to maintain the safety distances indicated by the green areas.

technical data

Size – ELFOSPACEWALL 2			005.0	007.0	015.0	017.0	
▶ Cooling capacity	(1)	kW	1,87	2,18	3,03	3,81	
Sensible capacity	(1)	kW	1,46	1,75	2,27	2,98	
▶ Heating capacity	(2)	kW	2,67	3,22	3,95	5,24	
Supply airflow	(3)	l/s	104	133	151	219	
Type of supply fan	(4)	-	TANG	TANG	TANG	TANG	
Number of supply fans		Nr	1	1	1	1	
Standard power supply		V	230/1/50	230/1/50	230/1/50	230/1/50	
L	Sound pressure level	(5)	dB(A)	27	31	27	35
M	Sound pressure level	(5)	dB(A)	33	39	32	43
H	Sound pressure level	(5)	dB(A)	40	45	40	49

Notes

- | | |
|---|---|
| <p>(1) Water temperature in / out 7°C / 12°C; Indoor air at 27°C D.B./19 C W.B; Air flow at max speed measured with clean filters</p> <p>(2) Water inlet temperature = 50°C; Indoor air temperature at 20°C; Air flow at max speed measured with clean filters</p> <p>(3) Air flow at max speed measured with clean filters</p> <p>(4) TGZ=tangential</p> | <p>(5) The sound levels refer to the unit at full load, in the rated test conditions. The sound pressure level refers to a distance of 1m from the external surface of the units operating in an open field.</p> <p>L Low speed (L)</p> <p>M Medium speed (M)</p> <p>H High speed (H)</p> |
|---|---|

accessories

- | | |
|---|--|
| <ul style="list-style-type: none"> ▶ CTSPDC CTS electronics with RS485 Modbus serial port and DC Brushless fan motor ▶ TR Terminal block for motor connection ▶ 2V2 ON/OFF 2 way valve kit for 2 tube system ▶ RE Electric heaters ■ HIDE2X Remote control with E/1 +3V +on/off for wall installation ■ HIDE3X Plurifunctional remote control for wall installation | <ul style="list-style-type: none"> ■ HIDT2X HID-T2 electronic room control ■ HIDTI2X HID-TI2 Flush-mounted electronic room control ■ HIDT3X HID-T3 electronic room control ■ PTABX Remote probe for room air temperature for electromechanical thermostats. ■ DCPX Control device for more units with a single room control. |
|---|--|

Key to symbols:

- Accessories separately supplied