

ELFOSPACEWALL2

Water room terminal unit for wall installation

ELFOSPACEWALL2 005.0 - 017.0 SERIES

- ▶ Suitable, thanks to the accurate aesthetics, for residential and hotel installations.
- ▶ Very low sound levels.
- ▶ Configuration possibility with wall thermostat or infra-red remote control and 2-way or 3-way valve.
- ▶ DC motor fan (optional).



Nominal cooling capacity from 1,87 to 3,18 kW
Nominal heating capacity from 2,57 to 5,20 kW

Index of contents

Standard unit technical specifications	4
Configuration Code	5
General technical data.....	6
Electrical data	7
Operating limits	7
Sound levels	8
Performances in cooling	9
Performance in Heating	10
Corrective coefficients for yield based on airflow rate	10
Exchanger pressure drops.....	11
Standard configuration	12
Configuration options	13
Accessories separately supplied	16
Dimensional drawings.....	18

Standard unit technical specifications

Structure

Made of auto-extinguishing ABS plastic RAL 9003 polished surface, with high specifications and great resistance to aging.

Thanks to independent deflectors and directional flaps, the vertical and horizontal airflow is manually adjustable.

A cardboard installation template is supplied with every unit to help the mounting on the wall.

Internal exchanger

Heat exchanger coil with large surface in copper tubes and aluminium fins are mechanically bonded onto the tube by an expansion process.

The water coil is also equipped with purge air valve and purge water valve.

The connections are on the left side facing the unit only and the possible mechanical set up of the tubes will have to come from behind the unit.

The unit is standard supplied complete with a ON/OFF 3-way valve. Alternatively, as a configuration option, it is possible to equip the unit with "ON/OFF" 2-way valve.

Fan

Fan deck made of plastic tangential fan with rubber support and single-phase 3 speed electric motor fitted on anti-vibration mountings, with condenser permanently inserted, internal thermal protection with automatic reset.

Filtration

Washable-regenerable synthetic filter, readily accessible from the top unit.

Drain pan

Drain pan made from polypropylene.

Electrical panel

The electronic board, mounted as per standard on the unit, is set to carry out different functions and adjustment modes, in order to meet the installation requirements (protection IP 20, class B).

The infra-red remote control, standard supplied with the unit, allows setting by a remote position the fan coil operation parameters

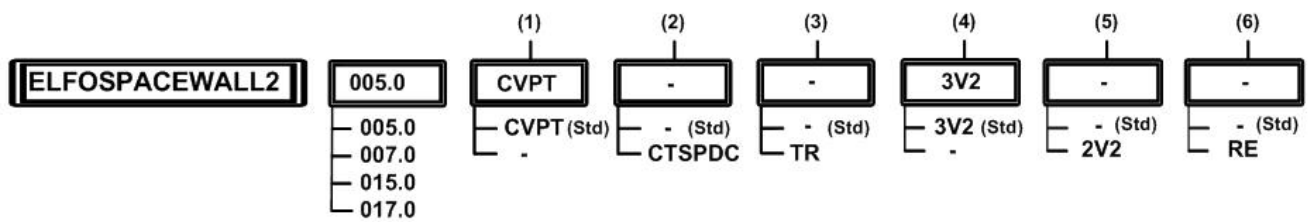
Configuration options

- CTSPDC - CLIVET TALK TERMINAL SPACE electronic with RS485 Modbus serial port and DC motor fan (if selected are excluded options: CVPT and TR)
- TR - Terminal block for motor connection (if selected are excluded options: CVPT and CTSPDC)
- 2V2 - 2-way ON/OFF valve kit (if selected are excluded options: 3V2)
- RE - Electric heaters

Accessories separately supplied

- HIDE2X - Remote control with E/I+3V+ ON/OFF for wall installation
- HIDE3X - Plurifunctional remote control for wall installation
- PTABX - Remote probe for room air temperature for electromechanical thermostats.
- DCPX - Control device for more units with a single room control.
- HIDE2X - HID-T2 electronic room control
- HIDE3X - HID-T3 electronic room control
- HIDE2X - HID-TI2 flush-mounted electronic room control

Configuration Code



(1) Electronic version

- CVPT - Electronic version with ra-red remote control (standard)
- (-) - Not required

(2) Configuration options

- (-) - Not required (standard)
- CTSPDC - CLIVET TALK TERMINAL SPACE electronic with RS485 Modbus serial port and DC motor fan (if selected are excluded options: CVPT and TR)

(3) Electrical panel

- (-) - Not required (standard)
- TR - Terminal block for motor connection (if selected are excluded options: CVPT and CTSPDC)

(4) 3-way valve

- 3V2 - 3-way ON/OFF valve kit for 2 pipe system (standard)
- (-) - Not required

(5) 2-ways valve

- (-) - Not required (standard)
- 2V2 - 2-way ON/OFF valve kit for 2 pipe system (if selected are excluded options: 3V2)

(6) Electric heaters

- (-) - Not required (standard)
- RE - Electric heaters

General technical data

Size			005.0	007.0	015.0	017.0
Cooling						
Cooling capacity	(1)	[kW]	1,87	2,18	3,03	3,81
Sensible capacity	(1)	[kW]	1,46	1,75	2,27	2,98
Total power input	(1)	[W]	18	24	29	48
Heating						
Heating capacity	(2)	[kW]	2,67	3,22	3,95	5,24
Internal exchanger						
Number of rows		[Nr]	2	2	2	2
Water content		(litres)	0,85	0,85	1,28	1,28
Water flow-rate	(1)	[l/s]	0,09	0,10	0,15	0,18
Water pressure drops	(1)	[kPa]	10,20	13,30	26,50	40,10
Water pressure drops	(2)	[kPa]	15,30	21,40	34,00	56,50
Air handling section fans (supply)						
Type of fans	(3)		TGZ	TGZ	TGZ	TGZ
Number of fans		[Nr]	1	1	1	1
Airflow	(4)	[l/s]	104	133	151	219
Airflow	(4)	[m ³ /h]	375	480	545	790
Connections						
Water connections		["]	1/2 F	1/2 F	1/2 F	1/2 F
Condensate discharge	(5)	[mm]	16	16	16	16
Power supply						
Power supply STD		[V]	230/1/50	230/1/50	230/1/50	230/1/50
Noise levels						
Sound pressure level (1 m)	(6)	[dB(A)]	40	45	40	49
Sound power level	(6)	[dB(A)]	48	53	48	57

1. Water temperature in / out 7°C / 12°C. - Indoor air at 27°C D.B./19 C W.B - Airflow at maximum speed (with air filter)
2. Water inlet temperature = 50°C (water temperature differential = 5°C) - Indoor air temperature at 20°C D.B. - Airflow at maximum speed (with air filter)
3. TGZ=tangential
4. Airflow at maximum speed (with air filter)
5. Intended as an external diameter
6. The sound levels of the internal unit refer to units at full load in normal test conditions. Sound pressure level refers to a distance of 5 m. from the unit surface operating in free field conditions.

Electrical data

Standard fans

Power supply: 230/1/50 Hz.

Voltage variation: max. +/-10%

Size		005.0	007.0	015.0	017.0
F.L.A. Full load current at max admissible conditions					
F.L.A. Total	[A]	0,16	0,16	0,23	0,23
F.L.I. - Full load power input at max admissible conditions					
F.L.I. Total	[W]	30	32	46	48

(1) Water temperature in / out 7°C / 12°C

Indoor air at 27°C D.B./19 C.W.B

Airflow at maximum speed (with air filter)

(2) Water inlet temperature = 50°C (water temperature differential = 5°C)

Indoor air temperature at 20°C D.B.

Airflow at maximum speed (with air filter)

Operating limits

Heating

Size		005.0	007.0	015.0	017.0
Max entering water temperature	[°C]	70	70	70	70
Min. water inlet temperature	[°C]	6	6	6	6
Max. inlet air temperature (D.B.)	[°C]	40	40	40	40
Min inlet air temperature (D.B.)	[°C]	2	2	2	2

Cooling

Size		005.0	007.0	015.0	017.0
Max entering air temperature (WB)	[°C]	70	70	70	70
Min inlet air temperature (D.B.)	[°C]	6	6	6	6
Maximum water side pressure	bar	10	10	10	10

Sound levels

Minimum speed

Size	Sound power level (dB)							Sound pressure level	Sound power level
	Octave band (Hz)								
	125	250	500	1000	2000	4000	8000	dB(A)	dB(A)
005.0	22,1	28,9	32,3	25,8	20,5	14,9	16,5	27	35
007.0	25,6	32,8	35,9	31,2	26,2	17,2	16,9	31	39
015.0	20,8	29,4	32,4	24,5	19,9	15,1	16,6	27	35
017.0	27,4	35,6	40,2	35,9	30,5	20,3	18,2	35	43

Medium speed

Size	Sound power level (dB)							Sound pressure level	Sound power level
	Octave band (Hz)								
	125	250	500	1000	2000	4000	8000	dB(A)	dB(A)
005.0	27,6	34,8	37,9	33,2	28,2	19,2	18,1	33	41
007.0	33,3	40,5	42,7	41,1	36,7	26,8	19,8	39	47
015.0	26,5	32,8	37,4	32,3	26,2	17,2	17,8	32	40
017.0	34,7	43	46,6	46,2	41,3	31,7	22,1	43	51

Max speed

Size	Sound power level (dB)							Sound pressure level	Sound power level
	Octave band (Hz)								
	125	250	500	1000	2000	4000	8000	dB(A)	dB(A)
005.0	34,3	41,5	43,7	42,1	37,7	27,8	20,1	40	48
007.0	38,1	45,7	47,4	48,8	43,8	35	23,9	45	53
015.0	31,8	40	44,7	41,9	37,8	26,7	21,4	40	48
017.0	39,1	49,3	51,7	53	47,3	39,4	28,3	49	57

Sound levels refer to units with full load under nominal test conditions.
The sound pressure level refers to a distance of 1 meter from the outer surface of the unit operating in open field.

Performances in cooling

Size	Ta (°C) D.B. / W.B.	Exchanger entering water temperature (°)							
		7		10		13		15	
		Total power	Sensible power	Total power	Sensible power	Total power	Sensible power	Total power	Sensible power
		[kWf]	[kW _s]	[kWf]	[kW _s]	[kWf]	[kW _s]	[kWf]	[kW _s]
005.0	22 / 16	1,19	1,10	0,77	0,77	0,55	0,55	0,41	0,41
	24 / 17	1,40	1,26	0,94	0,94	0,67	0,67	0,50	0,50
	26 / 18	1,63	1,42	1,12	1,12	0,80	0,80	0,60	0,60
	27 / 19	1,87	1,46	1,31	1,31	0,93	0,93	0,70	0,70
	28 / 20	2,15	1,52	1,53	1,34	1,03	1,03	0,77	0,77
	30 / 22	2,72	1,67	2,07	1,43	1,43	1,28	1,08	1,08
007.0	22 / 16	1,39	1,33	0,92	0,92	0,70	0,70	0,53	0,53
	24 / 17	1,64	1,53	1,11	1,11	0,85	0,85	0,65	0,65
	26 / 18	1,90	1,71	1,33	1,33	1,01	1,01	0,77	0,77
	27 / 19	2,18	1,75	1,54	1,54	1,18	1,18	0,89	0,89
	28 / 20	2,51	1,81	1,79	1,63	1,22	1,22	0,92	0,92
	30 / 22	3,17	1,98	2,41	1,70	1,67	1,55	1,27	1,27
015.0	22 / 16	1,93	1,70	1,25	1,25	0,82	0,82	0,62	0,62
	24 / 17	2,27	1,95	1,51	1,51	1,00	1,00	0,75	0,75
	26 / 18	2,63	2,19	1,81	1,81	1,19	1,19	0,90	0,90
	27 / 19	3,03	2,27	2,12	2,01	1,40	1,40	1,05	1,05
	28 / 20	3,45	2,38	2,48	2,07	1,65	1,65	1,24	1,24
	30 / 22	4,31	2,61	3,34	2,23	2,31	1,95	1,74	1,74
017.0	22 / 16	2,45	2,27	1,62	1,62	1,09	1,09	0,83	0,83
	24 / 17	2,87	2,59	1,96	1,96	1,32	1,32	1,00	1,00
	26 / 18	3,33	2,91	2,33	2,33	1,57	1,57	1,19	1,19
	27 / 19	3,81	2,98	2,71	2,71	1,82	1,82	1,39	1,39
	28 / 20	4,36	3,10	3,14	2,76	2,14	2,14	1,63	1,63
	30 / 22	5,47	3,39	4,20	2,91	2,93	2,62	2,23	2,23

Technical data referred to the following conditions:

Airflow at maximum speed (with air filter) - Relative humidity 50%

Difference between entering / leaving water temperature = 5°C

Ta = Air intake temperature

DB = dry bulb

WB = wet bulb

kWf = Cooling capacity in kW

kW_s = sensible cooling capacity (kW)

Performance in Heating

Size	Ta (°C)	Exchanger entering water temperature (°)						
		35	40	45	50	55	60	70
		Total power	Total power	Total power	Total power	Total power	Total power	Total power
		[kWt]	[kWt]	[kWt]	[kWt]	[kWt]	[kWt]	[kWt]
005.0	10	2,22	2,73	3,24	3,75	4,25	4,76	5,78
	15	1,70	2,20	2,70	3,20	3,70	4,20	5,20
	18	1,39	1,89	2,39	2,88	3,38	3,87	4,87
	20	1,19	1,68	2,18	2,67	3,17	3,66	4,65
	22	0,98	1,48	1,97	2,46	2,96	3,45	4,42
	25	0,68	1,18	1,67	2,16	2,64	3,13	4,10
007.0	10	2,68	3,29	3,91	4,53	5,14	5,76	6,99
	15	2,04	2,65	3,26	3,86	4,47	5,08	6,29
	18	1,67	2,27	2,88	3,48	4,08	4,68	5,88
	20	1,42	2,02	2,62	3,22	3,82	4,42	5,62
	22	1,17	1,78	2,38	2,97	3,57	4,16	5,35
	25	0,80	1,41	2,01	2,60	3,19	3,78	4,96
015.0	10	3,31	4,05	4,79	5,53	6,27	7,00	8,48
	15	2,54	3,27	4,00	4,73	5,46	6,19	7,65
	18	2,08	2,81	3,54	4,26	4,98	5,71	7,15
	20	1,78	2,51	3,23	3,95	4,67	5,39	6,82
	22	1,48	2,21	2,93	3,65	4,36	5,08	6,51
	25	1,03	1,77	2,48	3,20	3,90	4,62	6,03
017.0	10	4,37	5,36	6,35	7,33	8,32	9,31	11,28
	15	3,34	4,33	5,30	6,28	7,25	8,23	10,17
	18	2,74	3,72	4,68	5,65	6,62	7,59	9,52
	20	2,34	3,31	4,28	5,24	6,20	7,17	9,09
	22	1,95	2,92	3,88	4,83	5,79	6,75	8,66
	25	1,35	2,32	3,28	4,23	5,18	6,13	8,03

Technical data referred to the following conditions:
 Airflow at maximum speed (with air filter) - Relative humidity 50%
 Water temperature differential = 5°C

Ta = Air intake temperature
 kWt = Thermal power in kW

Airflow / Fan speed

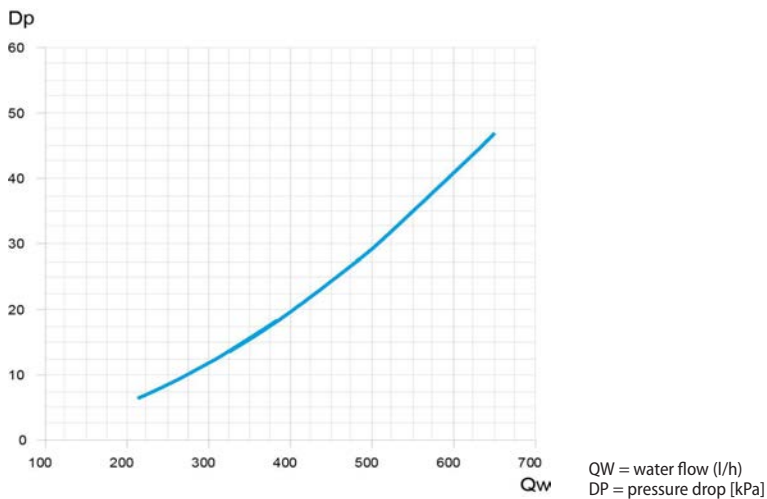
Size		005.0	007.0	015.0	017.0
Airflow (maximum speed)	[l/s]	104	133	151	219
Airflow (medium speed)	[l/s]	75	101	104	169
Airflow (minimum speed)	[l/s]	57	69	78	122

Corrective coefficients for yield based on airflow rate

Fan speed	Size											
	005.0			007.0			015.0			017.0		
	Pf	Ps	Pt	Pf	Ps	Pt	Pf	Ps	Pt	Pf	Ps	Pt
MAX	1,00	1,00	1,00	1,00	1,00	1,00	1,00	1,00	1,00	1,00	1,00	1,00
MED	0,80	0,78	0,77	0,84	0,82	0,81	0,77	0,74	0,73	0,86	0,83	0,82
MIN	0,66	0,63	0,61	0,66	0,61	0,60	0,62	0,59	0,58	0,69	0,65	0,64

Key:
 Pf = Cooling capacity
 Ps = Sensitive capacity
 Pt = Heating capacity

Exchanger pressure drops



Pressure drop for mean water temperature of 10°C; for different temperatures multiply the pressure drop figure by the k correction factors in the table.

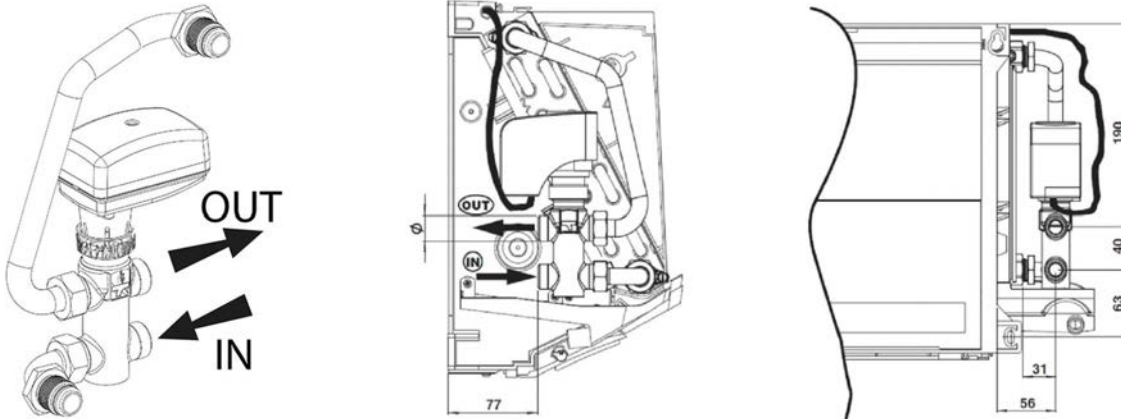
°C	20	30	40	50	60	70	80
k	0,94	0,90	0,86	0,82	0,78	0,74	0,70

Standard configuration

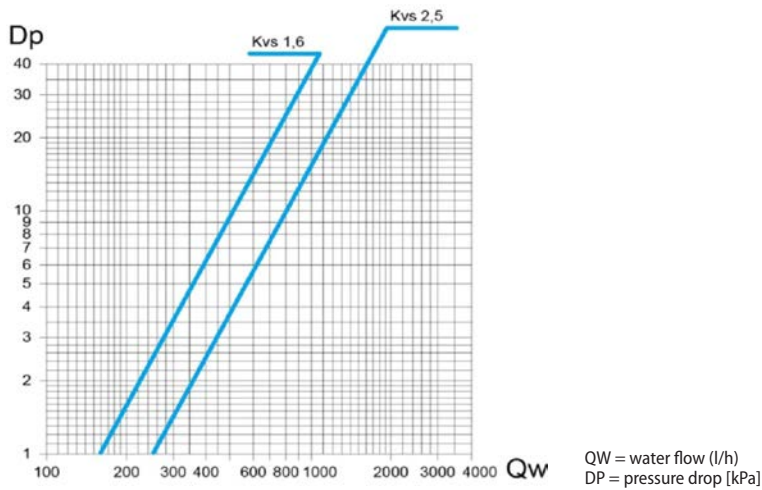
3V2 - 3-way ON/OFF valve kit for 2 pipe system

The unit is supplied complete with a 3-way ON/OFF valve kit 230 V complete with electro-thermal servo-control.

3-way ON/OFF valve water connections



3-way ON/OFF valve pressure drop



3-way ON/OFF valve technical data

Size	3-way valve				
	DN	Ø	Kvs	PN	ΔP
005.0 - 007.0	15	1/2"	1,6	16	70 kPa
015.0 - 017.0	20	3/4"	2,5	16	70 kPa

CVPT - Infra-red remote control

The infrared control, provided standard with the unit, lets you manage the following functions:

- Start-up/shutdown
- Temperature set
- Set the fan speed (low, medium, high or autofan)
- Set the operation mode (fan only, cooling, heating)
- Time setting
- 24 hours ON/OFF program



Configuration options

TR - Terminal block for motor connection (if selected are excluded options: CVPT and CTSPDC)

Simple terminal block located on the inner, opposite to hydraulic connections which are connected the wires from the HIDE2X and HIDE3X remote controls.

CTSPDC - CLIVET TALK TERMINAL SPACE electronic with RS485 Modbus serial port and DC motor fan (if selected are excluded options: CVPT and TR)

This is a card for control of the unit which, in addition to basic functions, allows it to be connected to a network of similar units managed centrally by ELFOControl or B.M.S.

This type of electronic card is suited for communicating via RS485 if connected to SP1 devices.

The microprocessor control installed in the unit receives operating settings from one of the following thermostats:

- HID-T2 - electronic room control for wall installation
- HID-T12 - flush-mounted electronic room control
- HID-T3 - Electronic room control for wall installation with humidity probe

Its functionalities are:

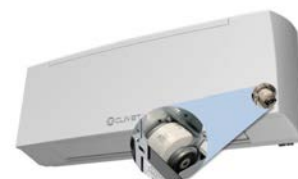
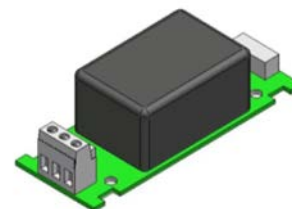
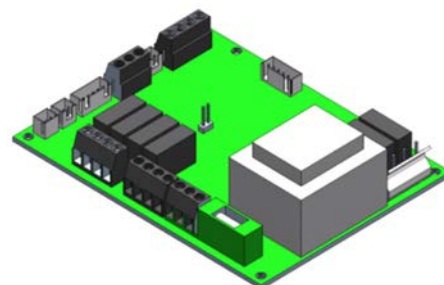
- control of minimum temperature of system water temperature
- control of manual or automatic speed fan
- control of ON/OFF water valve
- digital input for remote ON/OFF function or winter/summer
- fan control
- ON/OFF control of electrical heating element or cumulative alarm relay.

The serial port with MODBUS protocol. Allows the cable connection between the units and the ELFOControl or B.M.S.

The exclusive electric DC motor of ELFOSPACEWALL2's fan ensures reduced consumption as the ventilation can be modulated.

The high efficiency levels of its innovative technological solution noticeably limits the energy required to operate it correctly, there by reducing the power used and running costs compared with traditional fan-coils.

Compared with a traditional fan-coil, it is possible to achieve savings of about 40% in terms of electricity and 60% in terms of absolute power.



General technical data

Size			005.0	007.0	015.0	017.0
Cooling capacity	(1)	[kW]	2,00	2,26	3,29	3,75
Sensible capacity	(1)	[kW]	1,57	1,83	2,50	2,92
Heating capacity	(2)	[kW]	2,78	3,23	4,25	4,99
Water pressure drops (cooling mode)	(1)	[kPa]	11,20	13,70	30,40	38,70
Water pressure drops (heating mode)	(2)	[kPa]	9,30	11,60	24,20	31,40
Airflow		[l/s]	115	142	172	214
Airflow		[m3/h]	415	510	620	770

1. Water temperature in / out 7°C / 12°C - Indoor air at 27°C D.B./19 C W.B - Air flow at maximum speed (with air filter)

2. Water inlet temperature = 50°C (water temperature differential = 5°C) - Indoor air temperature at 20°C D.B. - Air flow at maximum speed (with air filter)

Electrical data

Power supply: 230/1/50 Hz. Voltage variation: max. +/-10%

Size			005.0	007.0	015.0	017.0
F.L.A. Full load current at max admissible conditions						
F.L.A. Total		[A]	0,14	0,20	0,18	0,26
F.L.I. - Full load power input at max admissible conditions						
F.L.I. Total		[W]	15	21	20	30

1. Water temperature in / out 7°C / 12°C - Indoor air at 27°C D.B./19 C W.B - Air flow at maximum speed (with air filter)

2. Water inlet temperature = 50°C (water temperature differential = 5°C) - Indoor air temperature at 20°C D.B. - Air flow at maximum speed (with air filter)

RE - Electric heaters

The heater is hermetically sealed and supplied inside the battery pipes and therefore can be only factory mounted.

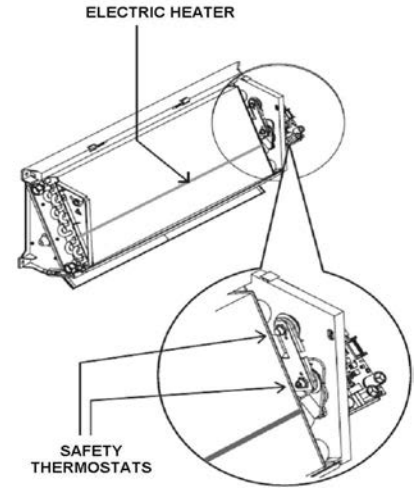
The electric heaters of the unit are single phase 230V supply

The electric heater is fitted with a overheat protection.

The unit is fitted with two safety thermostats:

- one thermostat with manual reset
- one thermostat with automatic reset

According to the control provided, the electric heater can be used as an alternative or as a supplement to the hot water.



Main technical specifications of the electric heaters

Grandezze	005.0	007.0	015.0	017.0
Nominal installed power	1000 Watt	1000 Watt	1500 Watt	1500 Watt
Nominal power voltage	230 V AC	230 V AC	230 V AC	230 V AC
Number and section of connecting wires	3 x 1,5mm ²	3 x 1,5mm ²	3 x 1,5mm ²	3 x 1,5mm ²
Current input (Max)	4,5 A	4,5 A	7 A	7 A
Recommended fuse (Type gG) for overload protection	6 A	6 A	8 A	8 A

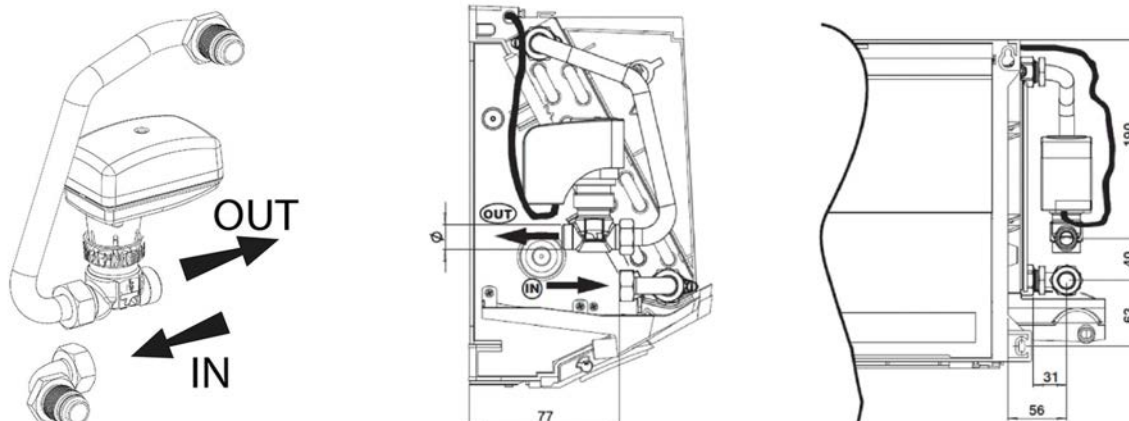


Max. ambient temperature for ELFSPACEWALL2 with electric coil in heating mode = 25°C.

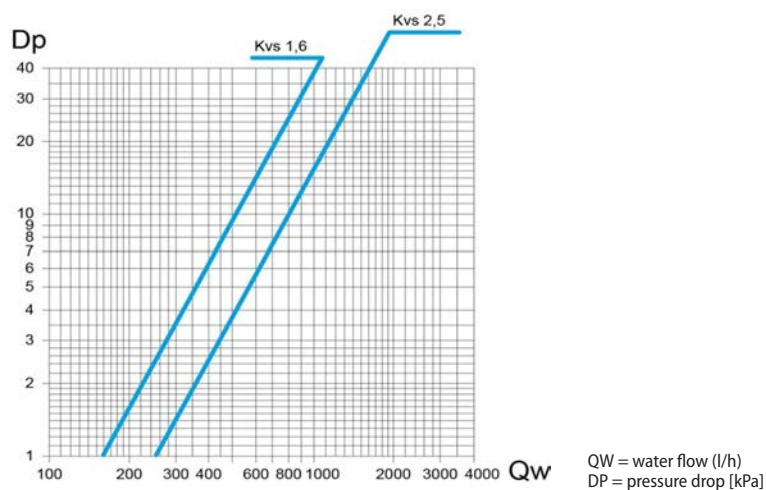
2V2 - 2-way ON/OFF valve kit for 2 pipe system (if selected are excluded options: 3V2)

The unit is supplied complete with a 2-way ON/OFF valve kit 230 V complete with electro-thermal servo-control.

2-way ON/OFF valve water connections



2-way ON/OFF valve pressure drop



2-way ON/OFF valve technical data

Size	2-way valve				
	DN	Ø	Kvs	PN	ΔP
005.0 - 007.0	15	1/2"	1,6	16	70 kPa
015.0 - 017.0	20	3/4"	2,5	16	70 kPa

Accessories separately supplied

HIDE2X - Remote control with E/I+3V+ ON/OFF for wall installation

HID-E2 electro mechanical room thermostat for wall installation.

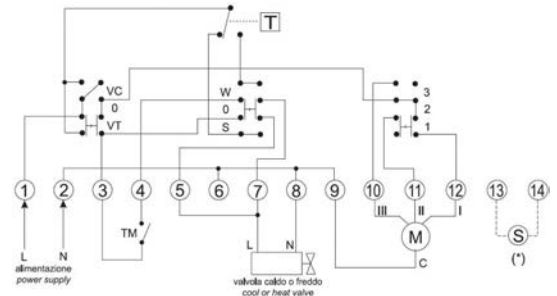
It allows:

- setting the desired temperature (10-30°C)
- selection of the 3 speeds (MIN - MED - MAX)
- ON/OFF
- manual Summer / Winter change
- continuous or thermostat-based ventilation
- control of ON/OFF water valve

It can be connected to the remote air probe (PTABX).

The hot water minimum temperature Clickson can be connected.

Dimensions: 184x82x27 mm.



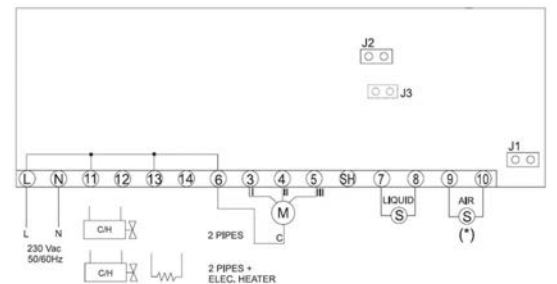
HIDE3X - Plurifunctional remote control for wall installation

HID-E3 electro mechanical room thermostat for wall installation

It allows:

- automatic fan speed adjustment (MIN - MED - MAX)
- silent operation (minimum fan speed)
- ON/OFF
- ambient temperature adjustment via the control knob: the knob's central position corresponds to the comfort condition (20°C in heating mode, 24°C in cooling mode). The temperature can be changed by +/- 5°C in relation to the comfort condition by turning the knob
- automatic selection of the Summer/Winter season: the heating or cooling mode is selected automatically by detecting the water temperature supplied to the fan-coil (water temperature below 17°C=operation in cooling mode, water temperature above 21°C=operation in heating mode)
- Hot Start function: in heating mode the fan does not start until the thermal coil is not hot enough
- destratification cycle
- dirty filter warning
- minimum water temperature probe

Dimensions: 184x82x27 mm.



PTABX - Remote probe for room air temperature for electromechanical thermostats

Sensors and thermostats should be located in the reference rooms, in a position enabling the actual measurement of the temperature, without any external factors influence.

Best technical solution to measure the correctly room temperature is to install the sensor in the room, on the wall of the same.

The remote room air sensor can be connected to the HID-E_ room thermostats complete with sensor input.

DCPX - Control device for more units with a single room control

Control device from single thermostat for max. 4 units compatible with HID-E_ electromechanical thermostats.

HIDT2X - HID-T2 electronic room control

The HID-T2 room thermostat makes it possible to interface with the control module of units equipped with CLIVET TALK TERMINAL SPACE electronics (CTS) and to manage one or more thermostat units.

The room thermostat allows the following functions:

- setting of the desired temperature
- selection of the 3 speeds (MIN - MED - MAX)
- ON/OFF
- change summer/winter automatically or manually with digital input
- select operation in economy mode
- set the unit's operating parameters
- setting of ventilation-only mode
- management of diagnostics with specific code for type of error

Dimensions: 123x86x27 mm

The thermostat is connected to the unit via a shielded twisted pair at a maximum distance of 15 m.



HIDT3X - HID-T3 electronic room control

The HID-T3 room thermostat makes it possible to interface with the control module of units equipped with CLIVET TALK TERMINAL SPACE electronics (CTS) and to manage one or more thermostat units.

The room thermostat allows the following functions:

- setting of the desired temperature
- selection of the 3 speeds (MIN - MED - MAX)
- ON/OFF
- change summer/winter automatically or manually with digital input
- select operation in economy mode
- set the unit's operating parameters
- setting of ventilation-only mode
- management of diagnostics with specific code for type of error

Dimensions: 123x86x27 mm

The thermostat is connected to the unit via a shielded twisted pair at a maximum distance of 15 m.



HIDT12X - HID-T12 flush-mounted electronic room control

The HID-T12 room climate control makes it possible to interface with the control module of units equipped with CLIVET TALK TERMINAL SPACE electronics (CTS) and to manage one or more thermostat units.

The room thermostat allows the following functions:

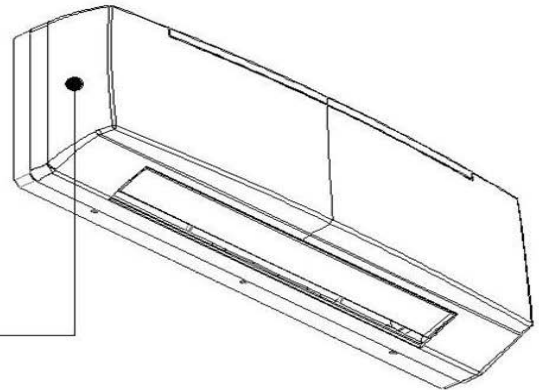
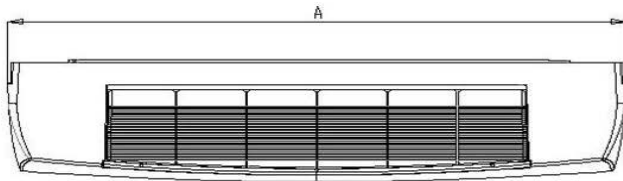
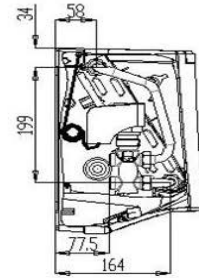
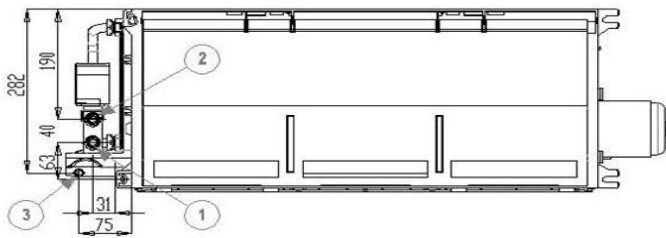
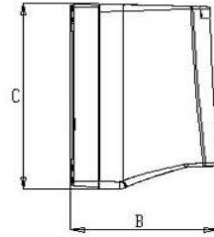
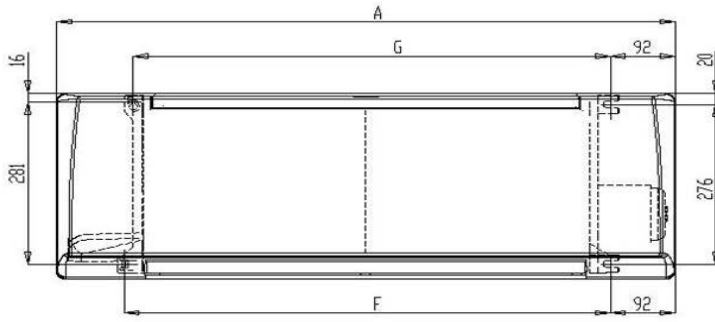
- setting of the desired temperature
- selection of the 3 speeds (MIN - MED - MAX)
- ON/OFF
- change summer/winter automatically or manually with digital input
- select operation in economy mode
- set the unit's operating parameters
- setting of ventilation-only mode
- control of external air shutter and control of motorized air outlet grille
- management of diagnostics with specific code for type of error

The thermostat is connected to the unit via a shielded twisted pair at a maximum distance of 15 m.

The supplied fixing hangs allow mounting the thermostat to the plastic boxes (not supplied) normally used in the houses.




Dimensional drawings



- 1. Water input:
1/2" F: size 005.0 - 007.0
3/4" F: size 015.0 - 017.0
- 2. Water output:
1/2" F: size 005.0 - 007.0
3/4" F: size 015.0 - 017.0
- 3. Condensation drain Ø 16mm

 Minimum installation height = 2m

 Maximum installation height = 3m

Size		005.0	007.0	015.0	017.0
A (Length)	mm	880	880	1185	1185
B (Depth)	mm	212	212	212	212
C (High)	mm	322	322	322	322
G	mm	678	378	983	983
F	mm	691	691	996	996
Operating weight (with valves)	[kg]	11	11	14	14
Shipping weight (with valves)	[kg]	13	13	17	17

page intentionally left blank



CLIVET SPA

Via Camp Lonc 25, Z.I. Villapaiera - 32032 Feltre (BL) - Italy
Tel. + 39 0439 3131 - Fax + 39 0439 313300 - info@clivet.it

CLIVET ESPAÑA S.A.

Parque Empresarial Villapark, Avda. Quitapesares 50 - 28670, Villaviciosa de Odón, Madrid - España
Tel. + 34 91 6658280 - Fax + 34 91 6657806 - info@clivet.es

CLIVET UK LTD

4 Kingdom Close, Segensworth East - Fareham, Hampshire - PO15 5TJ - United Kingdom
Tel. + 44 (0) 1489 572238 - Fax + 44 (0) 1489 573033 - info@clivet-uk.co.uk

CLIVET NEDERLAND B.V.

Siliciumweg 20a, 3812 SX Amersfoort - Netherlands
Tel. + 31 (0) 33 7503420 - Fax + 31 (0) 33 7503424 - info@clivet.nl

CLIVET GmbH

Hummelsbütteler Steindamm 84, 22851 Norderstedt - Germany
Tel. + 49 (0) 40 32 59 57-0 - Fax + 49 (0) 40 32 59 57-194 - info.de@clivet.com

CLIVET RUSSIA

Elektrozavodskaya st. 24, office 509 - 107023, Moscow, Russia
Tel. + 74956462009 - Fax + 74956462009 - info.ru@clivet.com

CLIVET MIDEAST FZCO

Dubai Silicon Oasis (DSO), High Bay Complex, Ind Unit No. 3 - PO Box 28178 - DUBAI, UAE
Tel. + 97 14 3208499 - Fax + 97 14 3208216 - info@clivet.ae

CLIVET AIRCONDITIONING SYSTEMS (P) LTD

3C3, Gundecha Onclave,
Kherani Road, Saki Naka, Andheri (East), Mumbai 400 072 (INDIA)
Tel. + 91 - 22 - 6193 7000 - Fax + 91 - 22 - 6193 7001 - sales.india@clivet.com